

RENAL TUNDISH
TURE4



NOTE the Fittings shown are NOT supplied with the unit

FEATURES

- Manufactured in Grade 316 Stainless Steel
- 38 BSP Threaded Outlet Connection
- Adjustable Mounting Bracket to suit varying wall finish / Thickness
- Fittings are Supplied by the Installer
- Swagelock Fittings displayed can be supplied at additional cost, but are not part of product.
- Other colours available – please specify.

OPTIONS

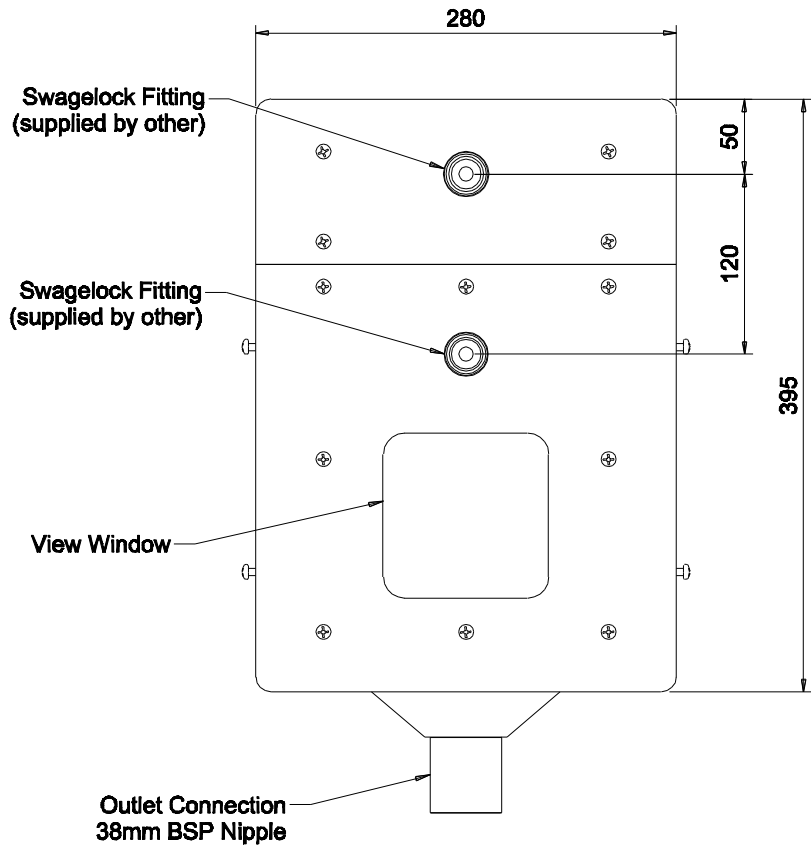
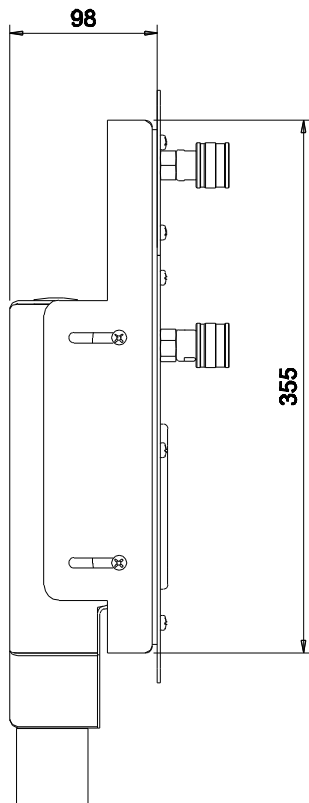
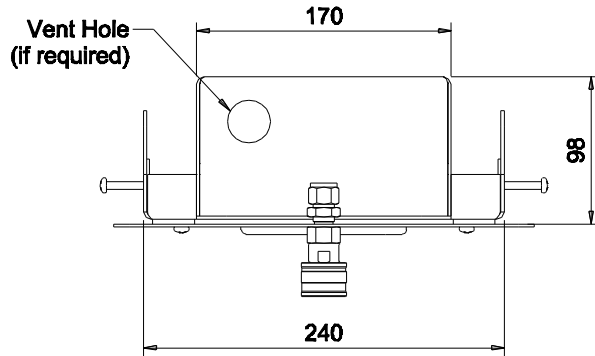
- Installation support frame Code:TURE4 IIF
- Single or Multi Point
- Design Profile is variable to suit your Special Application





TUNDISHES

RENAL TUNDISH
TURE4



SPECIFICATIONS

Stainless Steel Renal Tundish Shall be Model TURE4 from
Stainless Metal Craft
Phone 02 4735 5666