

GREASE ARRESTOR TRAP

GT



Unit Shown
Fully Optioned

FEATURES

- "Boat Shaped" Design for improved efficiency
- Gasket Sealed Lids
- Removable Lids for Inspection & Cleaning
- Approved for use by all Australian Trade Waste Authorities

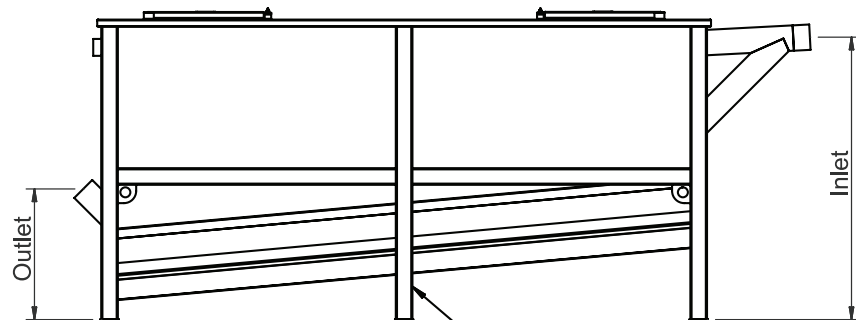
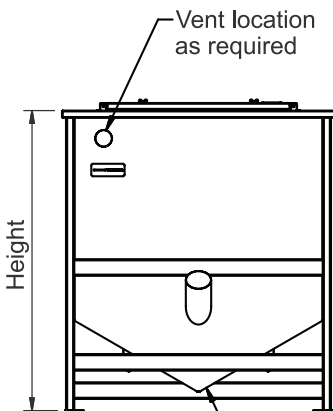
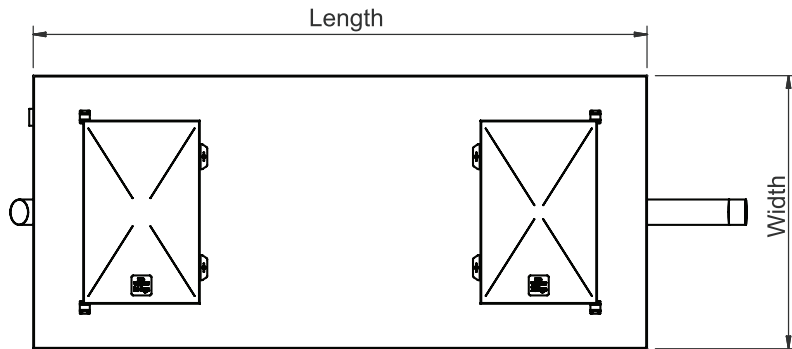
OPTIONS

- Vented Lids for mechanically Vented Rooms
- Vent Connection Location to suit requirements
- Access Platform, Stairs & Handrails to suit Building
- Flanged Connections for Inlet, Outlet & Vent
- Design Profile is variable to suit your Special Application.
- Drawings can be provided to obtain Authority Approval

WASTE TREATMENT, TRAPS & CONNECTIONS

GREASE ARRESTOR TRAP

GT



Sloping "Boat Shaped" Design for improved efficiency

Standard Frame is DuraGal. Stainless Steel Frame is available as an option

Model	Capacity	Length	Width	Height	Inlet	Outlet
GT1	1000	1752	1126	1552	1432	881
GT1.5	1500	1852	1356	1702	1582	881
GT2	2000	2152	1356	1852	1732	871
GT3	3000	2652	1406	1952	1832	901
GT4	4000	3152	1640	1752	1646	785
GT5	5000	3687	1640	1802	1696	785



SPECIFICATIONS

Stainless Steel Grease Arrestor Trap shall be Model GT (1,1.5,2,3,4 or 5) from Stainless Metal Craft.
 Phone 02 4735 5666