

BASINS & SINKS

CLEANERS SINK

CS1

Unit Shown
Fully Optioned

FEATURES

- Full Radius Corners for Increased Hygiene
- Hinged Grate
- 50mm Plug & Waste Supplied
- Wall Mounting Brackets Supplied

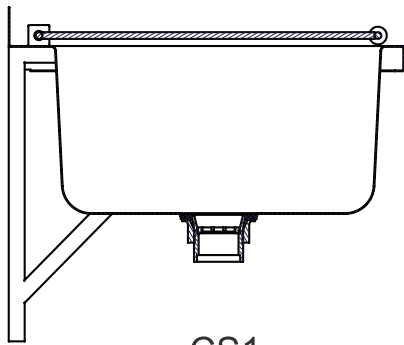
OPTIONS

- Heavy Duty Front Legs - Model HDL
- 450mm High Separate Splashback - Model SBK
- Design Variable to suit your Special Application

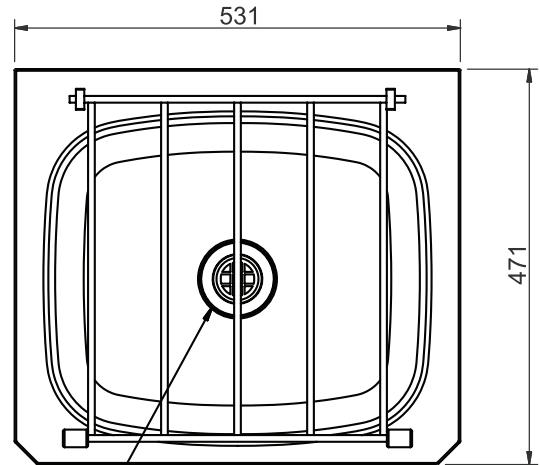
BASINS & SINKS

CLEANERS SINK

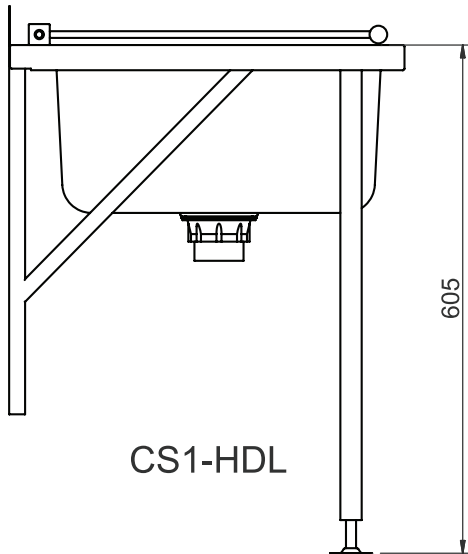
CS1



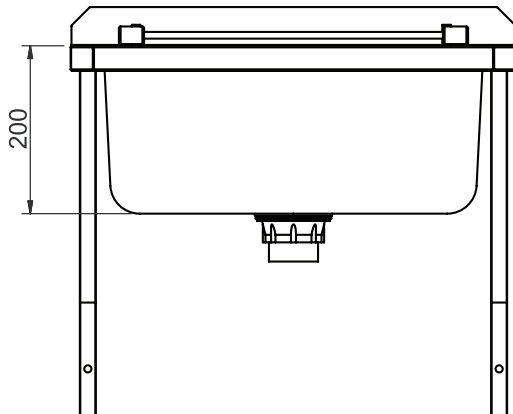
CS1



50mm plug&waste



CS1-HDL



SPECIFICATIONS

Stainless Steel Cleaners Sink shall be Model CS1 from
Stainless Metal Craft.
Phone 02 4735 5666